

Insulation screw plug IPSD 80



Advantages



- Special screw plug for direct fastening into external thermal insulation composite systems (ETICS) - fast and without thermal bridges!
- For fastening of wall connection profiles, metal sheets, base protection profiles, cornice covers, motion detectors, lamps, signs, etc. into the insulation material
- To be used with plumber screws 4,5 mm
- Pre-drilling in plaster usually not necessary (≤ 7 mm) due to sharp drilling tip
- 80 mm length for a good hold in the insulation material
- Suitable for clearance holes $\geq \varnothing 8$ mm (common for wall profiles)
- Made out of robust glass-fibre reinforced nylon
- Clean sealing against driving rain up to wind force 11 (violent storm), tested according to DIN EN 12155, no reworking required

Approvals and certificates



Suitable building materials

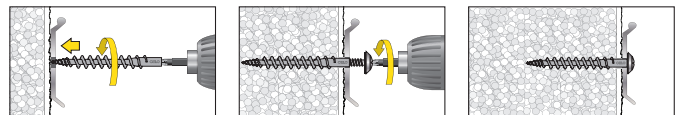
Very suitable



- External Thermal Insulation Composite Systems (ETICS)
- Styrofoam boards
- Hard foam boards
- Polystyrene boards
- Wood fibre boards (IPSD-H, see page 98, is recommended)

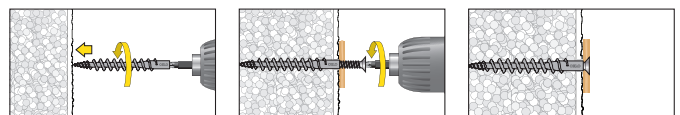
Mounting

Wall connection profiles



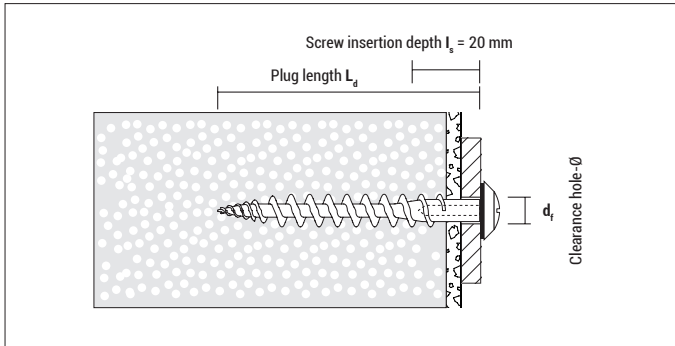
Recommended plumber screw: 4,5x25 mm

Light duty fixings with screw



The IPSD 80 can be installed using a TX25 bit.
Usable with screw $\varnothing 4,0$ mm;
Screw length $L_s = 15 - 20$ mm + Thickness of fixture

Insulation screw plug IPSD



IPSD 80

Type	Art-No	L _d [mm]	Drive	d _i [mm]	€ / 100 pcs	[pcs]	[pcs]
IPSD 80	9GR80IPSD	80	TX 25	min. 8		50	1.350



Plumber screw PLS TX sealing washer $\varnothing = 15,0$ mm



Type d ₀ x L _s	Art-No	Material	d ₀ [mm]	L _s [mm]	Drive	€ / 100 pcs	[pcs]	[pcs]
4,5 x 25	9X4525PLST	stainless steel A2	4,5	25	TX 25		50	1.200
4,5 x 25	9XC04525PLST	stainless steel A2, copper plated	4,5	25	TX 25		50	1.200

Loads and dimensions

Type	Applications in Polystyrene EPS (PS15, PS20) unplastered F _{rec} [kN]	Applications in Polystyrene EPS (PS15, PS20) plastered F _{rec} [kN]	Application in Rockwool, Coverrock Plus unplastered F _{rec} [kN]	Applications in Polystyrene XPS (perimeter insulation) F _{rec} [kN]	Thickness of insulation material ≥ [mm]
IPSD 80	0,04	ca. 0,06*	0,02	0,09*	80

F_{rec}: Recommended load in all directions incl. safety factor of 5

* Value may differ depending on the type and thickness of the plaster