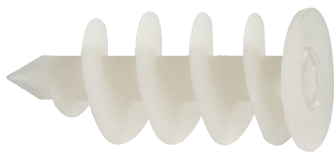
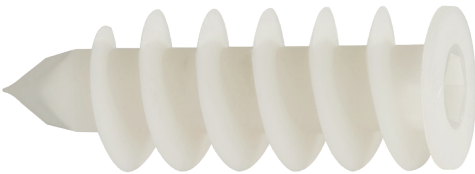


# Insulation plug IPL

## Advantages



IPL 60



IPL 95

- Special plug for light duty fixings in external insulation composite systems, like letterboxes, lamps, etc.
- Direct fastening into the insulation material - no thermal bridge
- No predrilling necessary due to sharp cutting tip; also drills reliably through hard ETICS plaster ( $\leq 7$  mm)
- Nylon plug ageing and weather resistant
- Duo-Bit: One bit for plug (IPL 60) and screw; saves installation time and money because no bit change is necessary. PZ2/TX40, TX20/TX40 and TX25/TX40 available

## Suitable building materials

### Very suitable



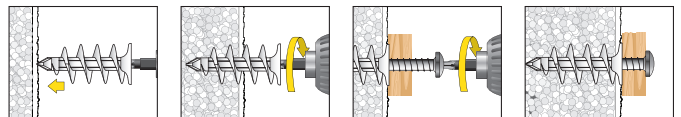
- External Thermal Insulation Composite Systems (ETICS)
- Polystyrene boards
- Hard foam boards
- Heraklith boards
- Wood fibre insulation boards (pre-drilling: 8 mm for IPL60, 13 mm for IPL95, HSS-drill or wood drill recommended)

## Approvals and certificates

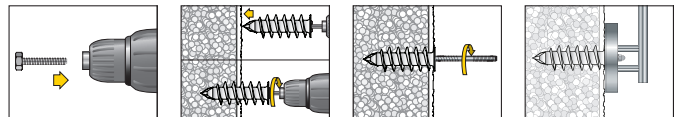


## Mounting

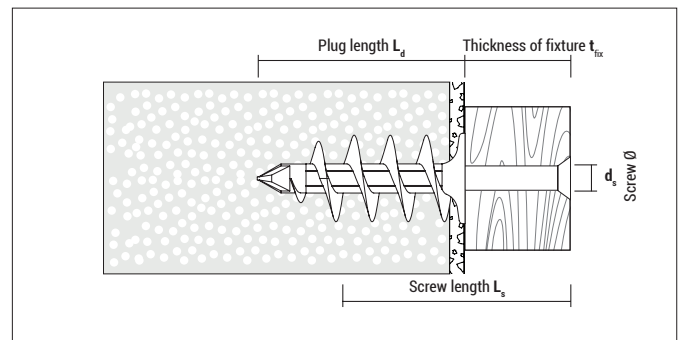
### Mounting IPL 60



### Mounting IPL 95



**Recommendation:** Seal plug collar after setting with silicone/acryl to prevent the entry of water into the insulation material.  
Use **CELO StickFX CL p. 196**



## Insulation plug IPL



### IPL

Type	Art-No	L <sub>d</sub> [mm]	Recess	d <sub>s</sub> [mm]	L <sub>s</sub> [mm]	€ / 100 pcs	[pcs]	[pcs]
IPL 60	960IPL	58	TX 40	4,5 - 5,0	30 + t <sub>fix</sub>		25	300
IPL 95	995IPL	95	SW 13	8 / 10 / M8	40 + t <sub>fix</sub>		25	200

IPL 60: Head-Ø 25 mm

IPL 95: Head-Ø 32 mm, **incl. 1x screw M8 x 30 as setting tool**



### Blister IPL



Type	Art-No	L <sub>d</sub> [mm]	Recess	d <sub>s</sub> [mm]	L <sub>s</sub> [mm]	€ / Blister	[pcs]	[Blister]
IPL 60	560IPL4	58	TX 40	4,5 - 5,0	30 + t <sub>fix</sub>		4	10
IPL 95	595IPL2	95	SW 13	8 / 10 / M8	40 + t <sub>fix</sub>		2	10

IPL 60: Head-Ø 25 mm

IPL 95: Head-Ø 32 mm, **incl. 1x screw M8 x 30 as setting tool**



### Blister IPL incl. screw PZ2



Type	Art-No	L <sub>d</sub> [mm]	Recess	d <sub>s</sub> x L <sub>s</sub> [mm]	Type of screw	€ / Blister	[pcs]	[Blister]
IPL 60	560IPLPZ4	58	TX 40	4,5 x 40			4	10

Duo-Bit TX20/TX40, TX25/TX40 Duo-Bit PZ2/TX40

### Duo-Bit for IPL 60

Type	Art-No	Dimensions	For use with	€ / pc	€ / Blister	[pcs]	[Blister]
TX20/TX40	7DTX20TX40	1/4" x 43 mm	IPL60 and TX20 screw			2	10
TX25/TX40	7DTX25TX40	1/4" x 43 mm	IPL60 and TX25 screw			2	10
PZ2/TX40	7DPZ2TX40	1/4" x 43 mm	IPL60 and PZ2 screw			2	10

2 pcs packed in a robust plastic box with EURO-punching

## Loads and dimensions

Type	Applications in Polystyrene EPS (PS15, PS20)	Applications in Polystyrene XPS	Application in Rockwool, Coverrock Plus plastered and unplastered <sup>1)</sup>	For use with	Screw insertion depth	
	F <sub>rec</sub> [kN]	F <sub>rec</sub> [kN]	F <sub>rec</sub> [kN]		min. [mm]	max. [mm]
IPL 60	0,07	0,14	0,04	Chipboard screws Ø 4,5 - 5,0	30	50
IPL 95	0,14	0,28	0,05	Hanger bolts Ø8, Ø10 and M8 Screws	40	80

F<sub>rec</sub>: Recommended load in all directions incl. safety factor of 5

<sup>1)</sup> Avoid impact loads