



BENEFITS

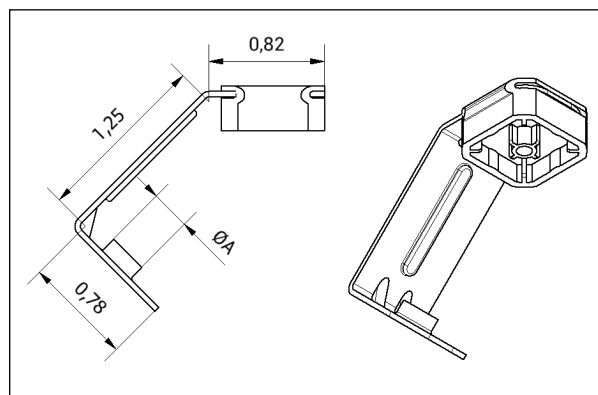
- Ceiling nut for the installation of wire rods 1/4".
- Fast installation in 2 steps with gas nailers for concrete.
- Fixing with most models of gas nailers for concrete (FORCE ONE, FOX, AGII, POWERS, SPIT, HILTI (GX100), BEA, WÜRTH, BERNER...)
- Exclusive patented HDPE clip. Allows firm stick it and holding on the nailer's nose piece.
- Material: Clip made in HDPE and base made in steel with zinc plated (min. 5 microns)
- Colour of the plastic part: Grey RAL 7035.

BASE MATERIALS

- Concrete
- Concrete block
- Solid brick
- Steel

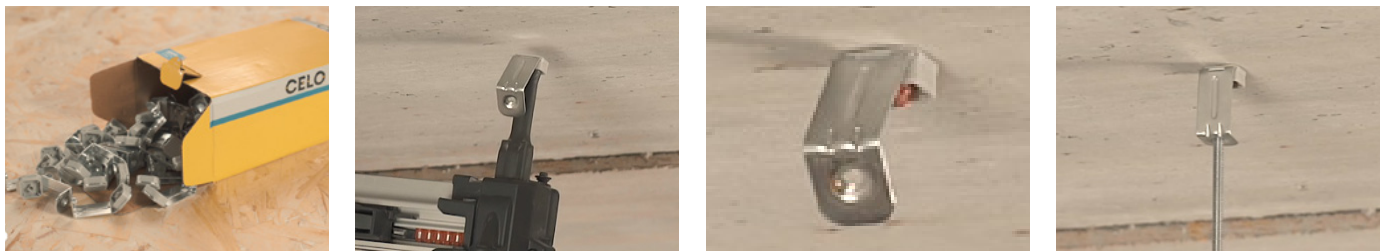


MAIN DIMENSIONS [mm]



Reference	1/4"
ØA	1/4"

INSTALLATION PROCEDURE



INSTALLATION PARAMETERS

Material		Concrete	Concrete block	Steel
Minimum spacing distance	S _{min} (inch)	3,94	3,94	3,94
Minimum edge distance	C _{min} (inch)	2,95	3,94	1
Minimum thickness	h _{min} (inch)	3,94	1,38	0,14

RECOMMENDED LOADS

Material	Steel 5mm	Prefabricated concrete	Concrete 250Kg/cm ²	Concrete blocks
Selected nail ⁽¹⁾	XH13/1000	XH22/1000	TK25/1000	TK25/1000
Recommended load (lbs) ⁽²⁾	44	77	66	55

⁽¹⁾ Recommended nail by CELO according to different material.

⁽²⁾ Safety factor included.

● ● ● **Small Things Matter** ● ●

APPLICATIONS

1/4" threaded rod fixing.

