



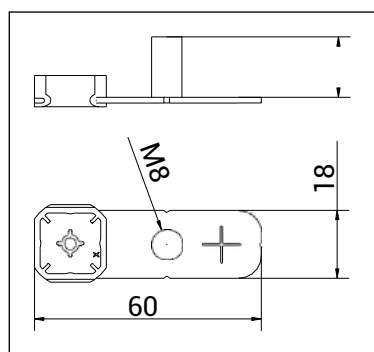
BENEFITS

- Allows the installation of different internal M8 threaded parts like connecting nuts and metal light duty clamps.
- Fast installation in 2 steps with gas nailers for concrete.
- Fixing with most model of gas nailers for concrete (FORCE ONE, FOX, AGII, POWERS, SPIT, HILTI (GX100), BEA, WÜRTH, BERNER...)
- Exclusive patented HDPE clip. Allows firm stick fit and holding on the nailer's nose piece.
- Making for centring the second shot.
- Material: Clip made in HDPE and base made in steel white zinc plated (min. 5 microns)
- Colour of the plastic part: Grey RAL 7035.

BASE MATERIALS

- Concrete
- Concrete block
- Solid brick
- Steel

MAIN DIMENSIONS [mm]



Two models: stud height H 10 mm or 17 mm.

INSTALLATION PROCEDURE



Reference	Thread	Stud length	Recom. resistance
9TR8	M8	10/17	50 kg

INSTALLATION PARAMETERS

Material	Concrete	Concrete block	Steel
Minimum spacing distance S_{min} (mm)	40	40	40
Minimum edge distance C_{min} (mm)	75	100	25
Minimum thickness h_{min} (mm)	100	35	3,5

RECOMMENDED LOADS

Material	Steel 5mm	Prefabricated concrete	Concrete 250Kg/cm ²	Concrete blocks
Selected nail ⁽¹⁾	TK13/1000	XH22/1000	TK25/1000	TK25/1000
Recommended load (kg) ⁽²⁾⁽³⁾	35	60	50	40

⁽¹⁾ Recommended nail by apolo according to different material.

⁽²⁾ Safety factor included.

⁽³⁾ Values for two shoots.

APPLICATIONS

- M8 clamps fixing.
- Fixing of M8 threaded elements like connecting nuts, hook nuts, eye nuts, ...

