

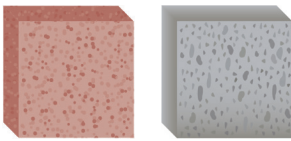


Key features

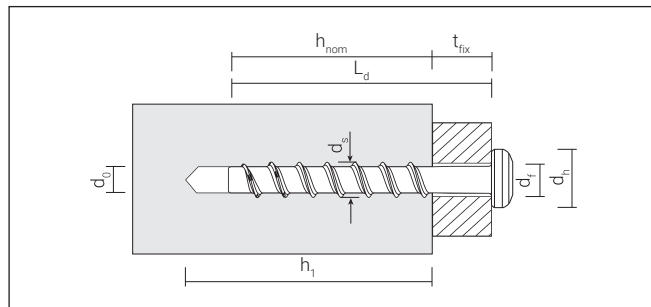
- Ideal supplementary product for DIF system. It provides you a solution when:
 - A shoot is missed with your gas nailer due to tough concrete, nail bending or concrete breakage...
 - Soft or fragile base material where shooting is impossible.
- Suitable for use with PFT, DFT and CHS. You only need to remove the plastic base part. See how to do it in the installation procedure.
- Also suitable for other plastic accessories such as AN, ABMD, ABM and BBT.
- Manufactured in carbon steel.
- White zinc plated, minimum 5 μm .

Base materials

- Concrete
- Solid brick



Main dimensions [mm]



Denom.	Recess	d_h	d_s	L_d	d_0	h_{nom}	d_r	t_{fx}
BTS-4 PT	TX20	8	5,2	25	4	20	6	≤ 5

Installation procedure

Drill, clean, remove the plastic base of accessory and tighten.



Permissible loads

Permissible loads (kN)	C20/25	C50/60
Tension load	0,6	0,75

NOTES:

- Permissible load (safety factors are included).
- Permissible loads for single anchor without influence of spacing and edge distance.

Applications

- To install accessories as metal conduit clip PFT/DFT and metal cable hanger CHS in concrete or solid brick.
- Electrical installations.
- Sanitary fixings.

