



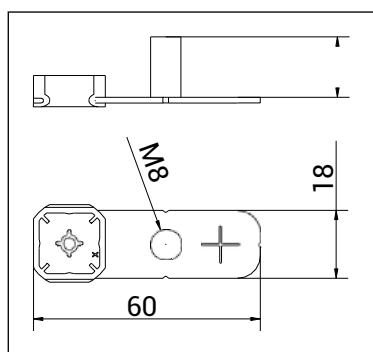
### BENEFITS

- Allows the installation of different internal M8 threaded parts like connecting nuts and metal light duty clamps.
- Fast installation in 2 steps with gas nailers for concrete.
- Fixing with most model of gas nailers for concrete (FORCE ONE, FOX, AGII, POWERS, SPIT, HILTI (GX100), BEA, WÜRTH, BERNER...)
- Exclusive patented HDPE clip. Allows firm stick fit and holding on the nailer's nose piece.
- Making for centring the second shot.
- Material: Clip made in HDPE and base made in steel white zinc plated (min. 5 microns)
- Colour of the plastic part: Grey RAL 7035.

### BASE MATERIALS

- Concrete
- Concrete block
- Solid brick
- Steel

### MAIN DIMENSIONS [mm]



Two models: stud height H 10 mm or 16 mm.

### INSTALLATION PROCEDURE



Reference	Thread	Stud length	Recom. resistance
9TR8	M8	10/20	50 kg

### INSTALLATION PARAMETERS

Material	Concrete	Concrete block	Steel
Minimum spacing distance $S_{min}$ (mm)	40	40	40
Minimum edge distance $C_{min}$ (mm)	75	100	25
Minimum thickness $h_{min}$ (mm)	100	35	3,5

### RECOMMENDED LOADS

Material	Steel 5mm	Prefabricated concrete	Concrete 250Kg/cm <sup>2</sup>	Concrete blocks
Selected nail <sup>(1)</sup>	TK13/1000	XH22/1000	TK25/1000	TK25/1000
Recommended load (kg) <sup>(2)(3)</sup>	35	60	50	40

<sup>(1)</sup> Recommended nail by apolo according to different material.

<sup>(2)</sup> Safety factor included.

<sup>(3)</sup> Values for two shoots.

## APPLICATIONS

---

- M8 clamps fixing.
- Fixing of M8 threaded elements like connecting nuts, hook nuts, eye nuts, ...

