

TEST REPORT

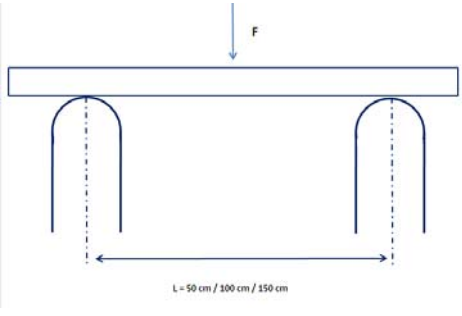
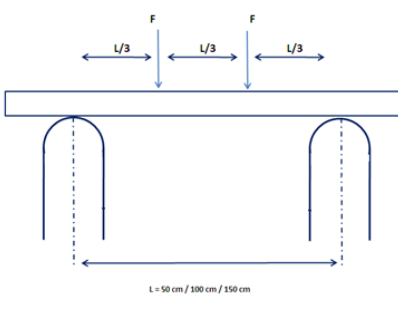
Report number: 106SATM11 – 1

LOAD CAPACITY ON PROFILES - REF.: 35 x 13 x 2000P

Load capacity of the profiles

The maximum loads are calculated according to the following conditions:

- The maximum bending is $< L/150$
- The tests were done using a 200kN-capacity mechanical universal-testing machine

Profile Length (spam)	<p>3 points bending test</p> 	<p>4 points bending test</p> 
500 mm	449 N	589 N
1000 mm	129 N	153 N
1500 mm	63 N	72 N

General observations:

- Fundació CTM Centre Tecnològic is not responsible for the validity of the additional information provided by the Customer (samples identification, technical documentation, etc.).
- The presented results refer exclusively to the material provided to the laboratory, as it is indicated in the corresponding paragraph, and tested under the conditions described in the norm/s and/or procedure/s mentioned in this document.
- Once the study is finished and in the case that the Customer doesn't claim for the provided samples, they will be eliminated in a period of time less than 6 months from the delivery date of the final technical report.
- It's not allowed the partial or total reproduction of this document without the written permission of the manager of Fundació CTM Centre Tecnològic.

Manresa 10 - 03 - 2011

Carles Abad

Materials Laboratory Manager of Fundació CTM Centre Tecnològic