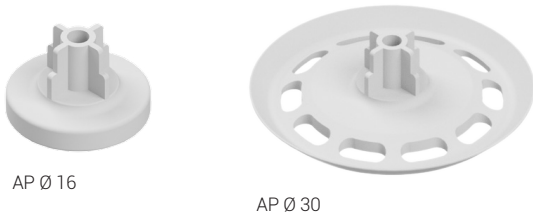


Plastic washer AP

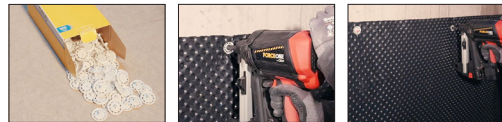


Advantages

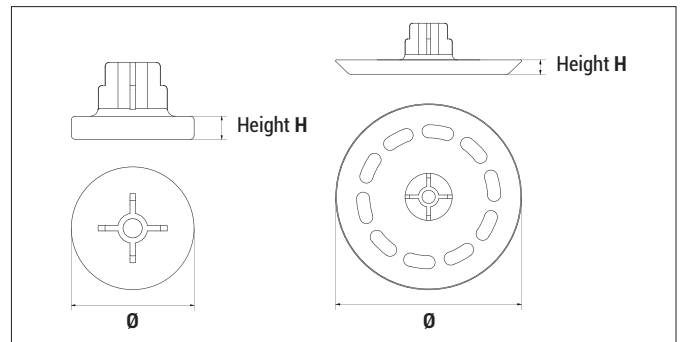


- AP Ø 16:
- fixing of cable channels and junction boxes etc.
- AP Ø 30:
- Plastic washer for fixing foils and fleece etc.
- Larger load-bearing contact surface which increases the quality of the fixing



Mounting



Approvals and certificates



AP

Type	Art-No.	Diameter Ø [mm]	Height H [mm]	€/ 100 pcs	 [pcs]	 [pcs]
AP 16	16AP	16	3		100	-
AP 30	30AP	35,5	2,75		100	-

Compatible gas nailers can be found on page 247